



L-LINE BASIC GONDOLA INSTALLATION INSTRUCTIONS

01-13P

PDF available here:



www.lozier.com/01-13P

PDF en español aquí:

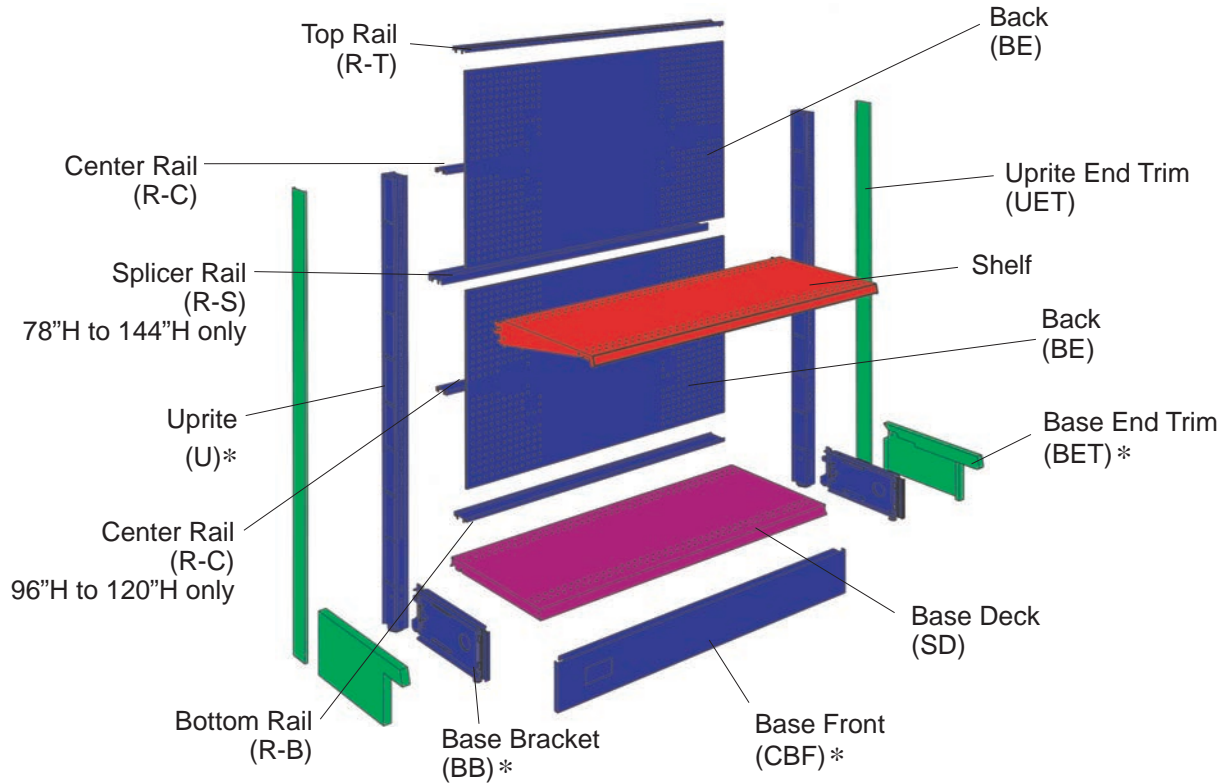


www.lozier.com/01-13PSP

L-Line Basic Gondola Installation Instructions



Call Toll Free 800-228-9882
(Canada - Call Toll Free 800-248-6930)



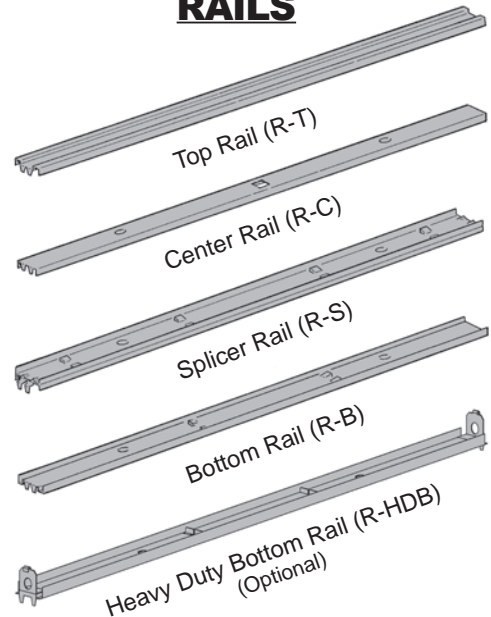
EQUIPMENT CHECKLIST

- Leveling Leg Wrench (provided)
- Carpenter's Level
- Screwdriver (Standard)
- Wedges (not provided) See Step 9 on page 13 for size
- Rubber Mallet and Hammer
- Measuring Tape
- Chalkline
- String or Dry Line

COMPONENTS

*** NOTE:**
Low Base Components have LB after part numbers.
06 Base Components have 06 after part numbers.

RAILS



Safety Warning

**POST THIS INFORMATION IN A LOCATION
CLEARLY VISIBLE TO ALL STORE PERSONNEL**

READ BEFORE ASSEMBLING OR USING SHELVING

WARNING

FOR YOUR SAFETY

These instructions and safety information should be reviewed with all store personnel, and along with all other instructions for your Lozier products, must be preserved and provided to any subsequent user or purchaser of these fixtures. Additional copies available upon request.

- Install all shelving according to installation instructions and use components only as instructed. Shelving and components should only be installed or rearranged by trained personnel who have read and understand these instructions and warnings.
- Local codes and regulations concerning building, fire, sanitation, or seismic requirements may apply to some installations. It is the responsibility of the owner of these fixtures to check with local building authorities to determine what codes or regulations, if any, apply and always install the shelving in compliance with any such requirements.
- When installing or rearranging shelving, *never* move assembled shelving.
- Do *not* combine Lozier products with non-Lozier products.
- *Never* use damaged parts. Damaged parts may cause shelving to be structurally unsafe or create exposure to sharp or pointed edges. If parts were damaged in shipment, do not use and contact your Lozier Customer Service Representative. If parts are damaged after shipment, discontinue use immediately and order replacement parts.
- Do *not* exceed Allowable Load Limits (see pages 3, 5 & 6 or the Lozier Catalog). Make certain you calculate the unbalanced load as shown on pages 5-6 of these instructions. Exceeding allowable loads may cause the shelving to tip over or collapse.
- Base fronts, either open or closed, are required for structural integrity and stability. Use of shelving without base fronts may cause the shelving to collapse. Caution: Use of any shelving without Closed Base Fronts (CBF) may allow material handling or floor cleaning equipment to collide with the Base Brackets causing the shelving to be knocked out of alignment or collapse.
- All components which require trim such as Uprites (U) and Base Brackets (BB) must be installed with trim pieces. Untrimmed parts may have unfinished edges that must be covered by trim to avoid exposure to store personnel or customers. Use Molding End Trim to cover exposed corners of S-style shelves.
- Do *not* hang Peg Hooks, Shelves or other accessories on the back side of a Wall Section or any section without Base Brackets. Wall Sections do not have Base Brackets (BB) on the back side to provide support, and use of the back side to display merchandise may cause the section to tip over.
- To avoid store personnel or customers accidentally coming in contact with display fixtures, never allow any Shelf, Peg Hook, or other display to protrude into an aisle or to extend beyond the edge of the Base Deck or End Deck (if used).
- Anchor Base Brackets of all free-standing Wall Sections (those not backed against a building wall or other support) regardless of Uprite height to leveler spacing ratio.
- All End Merchandising Panels intended for use with Shelves or accessories must include End Decks or other floor display to direct people away from the shelves or displays above the End Deck or other floor display.
- When using End Merchandising Panels on a fixture, where the first shelving section behind the EMP is not equipped with shelves that engage into the uprite slots, top rail hold down clips with uprite inserts (Lozier P/N HMA4381) must be installed. Failure to do this could allow the top rail to become disengaged, and the fixture to fall over, causing product damage or personal injury.
- Do *not* lean tall or heavy items against shelving unless shelving is anchored to a suitable building wall, to the floor, or is otherwise braced to prevent overturning. The weight and force of leaning items on unanchored or unbraced shelving may cause the shelving to overturn or collapse.
- Shelving (or racks) that are leaning or bending when loaded may indicate a dangerous overload or impending collapse. Loads should be immediately reduced, and the cause for this condition should be corrected, before reloading. Refer to appropriate installation instructions to assure shelving (or racks) are properly assembled, replace any damaged components or parts, and do not exceed recommended maximum loads or engage in any other unsafe use of the shelving (racks).
- Provide safe access to all levels of storage & display shelving in accordance with applicable OSHA regulations. Never allow anyone to climb, walk, or stand on shelving. These shelves were not designed to withstand the extra weight and impact of climbing, walking and standing, and the added weight and impact of such actions may cause the fixture to collapse.
- Never alter, modify or otherwise structurally change the shelving or any of its component parts. Modification or alteration may cause the shelving or component part to become structurally unsafe resulting in tipping, collapse or other failure of the fixture.
- When using an open back system, do not use No-Base Wall End Displays (WEDNB_). Using a WEDNB_ with an open back system will put a side load into the fixture causing it to collapse.

IMPORTANT! Failure to follow these instructions and warnings may result in overturning or collapse of the fixture, resulting in personal injury to your employees or customers, damage to property, or damage to the fixture itself.

Opening Sequence

OPENING SEQUENCE

Items are shown colored to indicate system of color-coding for boxes. Boxes are also numbered to indicate sequence of box opening to facilitate ease of installation.



Uprites
Base Brackets
Rails
Base Fronts
BLUE



Back Panels
BLUE



Base End Trim,
Accessories
and Misc.
Components
GREEN

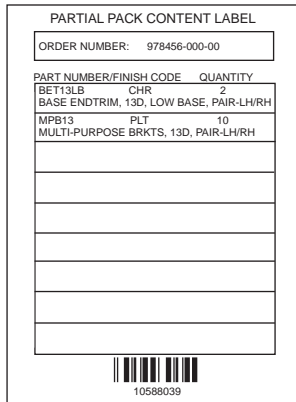


Base Decks
VIOLET



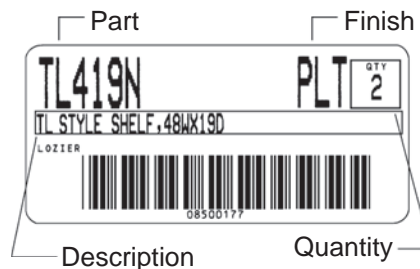
Shelves
Wire
Components
RED

PARTIAL PACK LABEL



Partial Pack Content Label replaces bar code label when carton contains partial packs.

BAR CODE LABEL

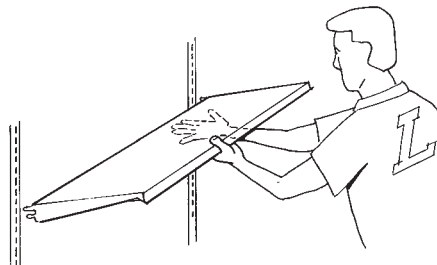


OR

ALLOWABLE SHELF LOAD LIMITS Do Not Exceed!

“S” & “TL” STYLE - Install flat or 17° downslant. To install, tilt front edge slightly upward and insert tabs into Uprite slots. Lift up on rear of Shelf while lowering front to desired position.

“DL” STYLE - Install flat, 17° downslant, 30° downslant or 15° upslope (7" thru 19"). To install, insert tabs on Shelf straight into slots in Uprite.



HELPFUL HINTS:

Lift and position “S” & “TL” Style Shelves by gripping front edge of Shelf with one hand and lifting rear edge from underneath with the palm of the other hand when lowering into level position from tilted entry into Uprite slots.

When removing “DL” Style Shelves, lift rear of Shelf to disengage bracket and relax lifting pressure while pulling the Shelf away from the Uprite.

SHELF AND DECK SIZES

7" 10" 13" 15" 16" 17" 19" 20" 22" 25" 28" 31"

SHELF TYPE	SHELF ANGLES	RECOMMENDED UNIFORM LOAD CAPACITY IN LBS.											
“S” & “TL” Style Shelves & “SD” Decks	Flat	300	500	500	500	500	500	500	500	500	500	400	400
	17°Downslant	300	250	250	250	250	250	250	250	250	250	200	200
	Deck	—	—	600	—	600	—	600	—	800	800	800	800
“HL” & “HDS” Style Shelves and Decks	Flat	—	—	—	—	600	600	600	—	700	700	600	600
	30°Downslant	—	—	—	—	125	125	125	—	—	—	—	—
	17°Downslant	—	—	—	—	250	250	250	—	—	—	—	—
	Deck	—	—	—	—	—	—	900	—	1200	1200	1200	1200
“DL”	Flat	300	500	500	500	500	500	500	—	500	500	400	400
	30°Downslant	125	125	125	125	125	125	125	—	125	125	100	100
	17°Downslant	300	250	250	250	250	250	250	—	250	250	200	200
	15° Upslope	200	300	300	300	300	300	300	—	—	—	—	—

NOTE: Reduce capacities shown by 30% when only the front half of the shelf/deck is loaded or by 50% if the shelf/deck is less than 36" wide.

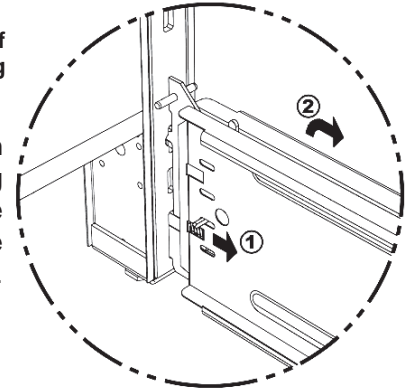
Add Load Easer Base Brackets for 500 lbs. Additional Deck Capacity

Base Bracket Removal & Replacement

WALL SECTIONS:

IMPORTANT! These instructions must be followed to prevent collapse of the system. A crew of two (minimum) is required. One crew member must hold the upright while the other is removing and replacing the base bracket on that upright.

Remove merchandise and shelves. Remove base deck and base front from one section on each side of base bracket being removed. (If upright is lagged to wall, adjust leveling leg up 1/8"-1/4" to relieve preload on bracket.) **1)** Pull latch tabs away from upright. It may be necessary to pull tabs on each side of Base Bracket simultaneously in order to disengage latch. **2)** Lift bracket up and out of upright. Install replacement base bracket immediately. Reinstall base front and base deck. Proceed to next base bracket.



ISLAND SECTIONS:

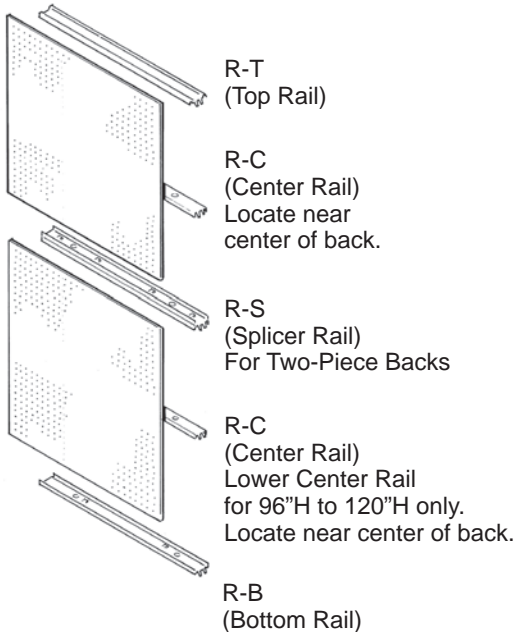
IMPORTANT! These instructions must be followed to prevent collapse of the system.

WARNING! Be sure to unload heavy side of island first, to prevent overturning. Be sure that, at no time, the unbalanced load rating (see pages 5 & 6) is exceeded as a result of unloading.

Work on one side of island at a time. Remove merchandise and shelves. Remove base deck and base front from one section on each side of the base bracket being removed. Make sure that upright leveling leg is touching floor. Adjust bracket leveling leg 1/8"-1/4" off floor to relieve preload on bracket. **1)** Pull bracket latch tabs away from upright. It may be necessary to pull tabs on each side of Base Bracket simultaneously in order to disengage latch. **2)** Lift bracket up and out of upright. Install replacement base bracket immediately. Reinstall base front and base deck. Proceed to next base bracket.

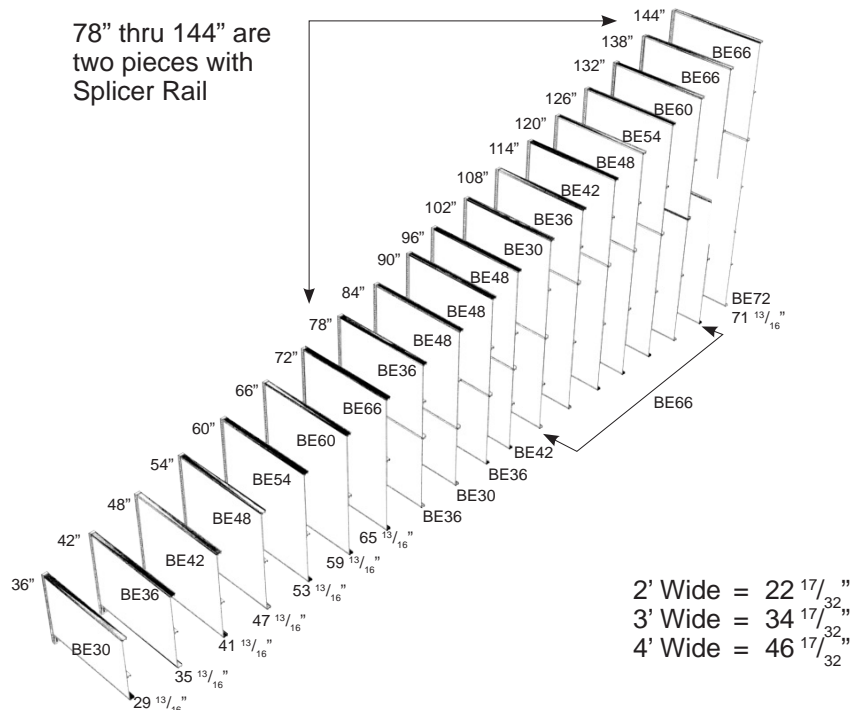
RAIL INFORMATION

NOTE: Center Rails will be painted in other neutral colors at random.



BACK PANEL INFORMATION

IMPORTANT! Top of Pegboard Backs are marked with a paint stripe. First row of holes are 7/8" from top edge.



NOTE: If Telescopic Uprights (TEL) are being installed, see installation instructions 09-2 shipped with the TEL.

Unbalanced Load Calculations

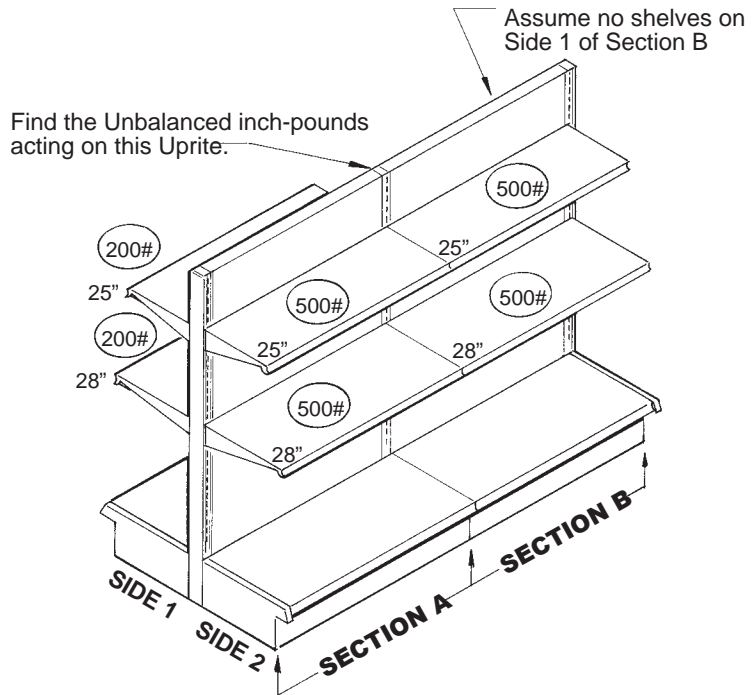
When heavily loading wall shelving or loading or unloading island shelving, it is important to determine if you are creating an unbalanced load that exceeds the maximum allowable load. The sample calculation below illustrates how you can determine your unbalanced load in inch-pounds.

NOTE:

Inch-pounds are a measure of the shelf loads acting at a distance ($\frac{1}{2}$ shelf depth) from the Uprite.

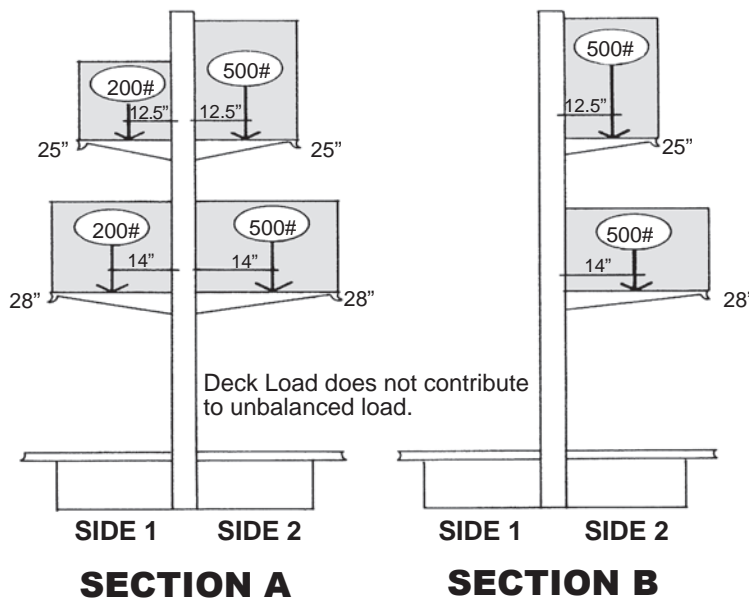
SAMPLE CALCULATION

1.



This loading situation may be represented by two separate loading sections, shown below as Section A & Section B.

2.



Unbalanced Load Calculations Continued

3.

NOTE:

Shelf depth is divided by 2 because an evenly distributed shelf load is calculated as a total load at center of shelf depth.

Shelf load is divided by 2 because a shelf load is supported by two uprites.

WALL SECTION UNBALANCED LOAD CALCULATION:

The method used to determine the unbalanced inch-pounds on a wall section is the same as the method shown for an island section. Simply consider the side without shelves having a load of zero.

NOTE: See Wall Section Warnings on page 7.

	(Shelf depth ÷ 2)	X	(Shelf load ÷ 2)	=	SIDE 1	SIDE 2
SECTION A	12.5"	x	100#	=	1,250" #	
	14"	x	100#	=	1,400" #	
	12.5"	x	250#	=		3,125" #
	14"	x	250#	=		3,500" #
SECTION B	12.5"	x	250#	=		3,125" #
	14"	x	250#	=		3,500" #
TOTAL (Section A and B)					2,650" #	13,250" # <small>(See Caution Below)</small>

Subtract the smaller unbalanced load from the larger:

$$\begin{array}{r}
 13,250 \text{ inch-pounds} \\
 - 2,650 \text{ inch-pounds} \\
 \hline
 = 10,600 \text{ inch-pounds}
 \end{array}$$

NOTE: " # indicates inch-pounds.

This is the total unbalanced load acting on the uprite and must never exceed 12,000 inch-pounds with "06" Base Brackets or 15,000 inch-pounds with "LB" Base Brackets.

CAUTION:

In this example (for "06" Base Brackets), 10,600 inch-pounds does not exceed the 12,000 inch-pound limit. However, note that the total of Section A and B on Side 2 is 13,250 inch-pounds. This means that Side 2 would exceed the 12,000 inch-pound limit if loaded before Side 1, or if Side 1 was unloaded before Side 2. Therefore, in the above example, Side 1 (the side with the smaller load) must be loaded before Side 2 is loaded, and Side 2 must be unloaded to less than 12,000 inch-pounds before Side 1 is unloaded.

**DO NOT EXCEED 12,000 IN-LBS UNBALANCED LOAD WITH "06" BASE BRACKETS!
DO NOT EXCEED 15,000 IN-LBS UNBALANCED LOAD WITH "LB" BASE BRACKETS!**

To replumb an island that has an unbalanced load, see page 9.

Special Warnings

EXTENSION UPRITES -The maximum unbalanced load on shelves above the joint on an Extension Uprite should not exceed 2500 inch-pounds. Exceeding this maximum load may cause shelving to tip over resulting in personal injury or property damage.

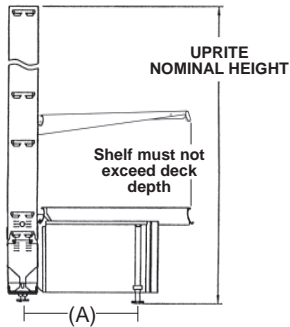
PEGBOARD BACK LOADS -The load applied to Pegboard Backs with a standard Bottom Rail should not exceed 150 lbs. in total, 50 lbs. in any single square foot area, or 10 lbs. per hook. With heavy duty Bottom Rails, the load applied should not exceed 350 lbs. in total, 50 lbs. in any single square foot area, or 10 lbs. per hook. Excessive loading of Pegboard Backs can cause the Backs to fracture and/or become dislodged which could result in personal injury to employees or customers, damage to property, or damage to the fixture itself.

MAXIMUM SECTION LOAD – The maximum load placed on one section shall not exceed 4,500 lbs. This maximum shall include the combined weight placed on backs, shelves and decks, including both sides if an Island Section.

Overturning Warnings

WARNING! Failure to follow these instructions and warnings may result in overturning or collapse of the fixture, resulting in personal injury to your employees or customers, damage to property, or damage to the fixture itself.

Wall Section



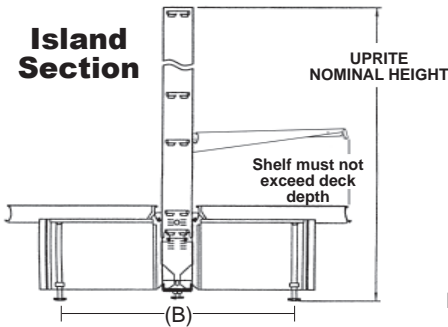
WALL		
BASE SIZE	LEVELER SPACING(A)	TALLEST UNANCHORED UPRITE
13"	9 3/4"	54"
16"	12 3/4"	72"
19"	15 3/4"	90"
22"	18 3/4"	108"
25"	21 3/4"	120"
28"	24 3/4"	144"

NOTE: For Uprite applications taller than 144", contact Marketing.

Important Notice for Free Standing Units

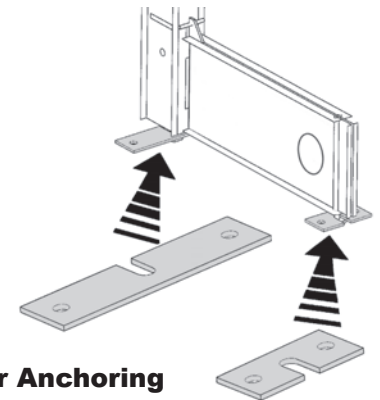
- If Glass Doorkits are used on Wall Section or on one side only of Island Section, reduce maximum height by 12"
- If fixture is on carpet, reduce maximum height by 12"
- Anchor Base Brackets of Wall Sections regardless of Uprite height.

Island Section



ISLAND		
BASE SIZE	LEVELER SPACING(B)	TALLEST UNANCHORED UPRITE
13"/13"	19 1/2"	114"
13"/16"	22 1/2"	132"
13"/19"	25 1/2"	144"
16"/16"	25 1/2"	144"

NOTE: For Uprite applications taller than 144", contact Marketing.



Floor Anchoring

To help avoid overturning:

- The height of the Uprite (including Extension Uprites, if any) must not exceed the leveler spacing by a ratio of 6:1 when unanchored (see the charts). **CAUTION:** Tall unanchored Island Sections using 13"-16" bases and heavily loaded on one side must not exceed the following load limits:
 - 13" base with Uprite height greater than 78", unbalanced load not to exceed 6,000 in-lbs
 - 16" base with Uprite height greater than 102", unbalanced load not to exceed 6,000 in-lbs
- If Uprites on Wall Sections exceed the heights listed, the Base Bracket and the Uprite levelers must be anchored to the floor or otherwise braced.
- Base Brackets of free-standing Wall Sections must be anchored to prevent backward tipping. If uprite height to leveler spacing exceeds 6:1 the Base Brackets and Uprites must be anchored.
- Contact local building official for anchoring requirements in seismic zones.
- Maximum shelf depth **cannot** exceed Base Deck depth.
- Do **not** hang Peg Hooks, Shelves, or other accessories on the back side of a Wall Section or any section without Base Brackets. Wall Sections do not have Base Brackets on the back side to provide support, and use of the back side to display merchandise may cause the section to tip over.
- Do **not** lean tall or heavy items against shelving unless shelving is anchored to a suitable building wall, to the floor, or otherwise braced to prevent overturning. The weight and force of leaning items on unanchored or unbraced shelving may cause the shelving to overturn or collapse.

Anchoring Wall Section

ANCHORING INFORMATION

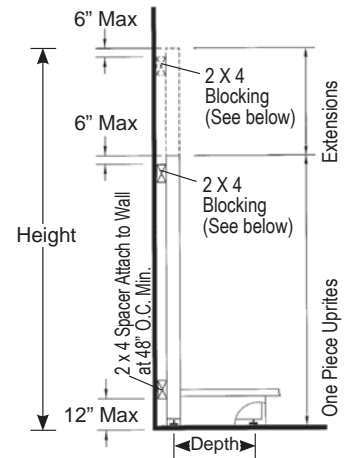
Anchoring of all Wall Sections is recommended for limiting deflection under loaded conditions, and is required when the fixture height exceeds the depth by a ratio of 6 to 1. Anchoring does not increase the unbalanced load capacity of the fixture.

The purchaser of the fixture is responsible for determining the suitability of any specific wall or structure to which shelving is anchored, for the selection of and/or proper installation of the anchoring fasteners, hardware and materials, and for the workmanship of those performing anchoring. These guidelines are meant to illustrate typical types of anchoring and do not constitute any endorsement by Lozier of any specific anchoring application. Each application will vary due to the building structure and materials used for anchoring. Professional advice from a registered professional engineer should be sought for each anchored installation.

As a guideline, anchoring should be located as shown in these illustrations. Anchoring situations other than those illustrated may be encountered. Extreme care must be taken to insure that the building wall or other structure is solid and suitable for anchoring and will support the load being anchored to it.

WARNING:

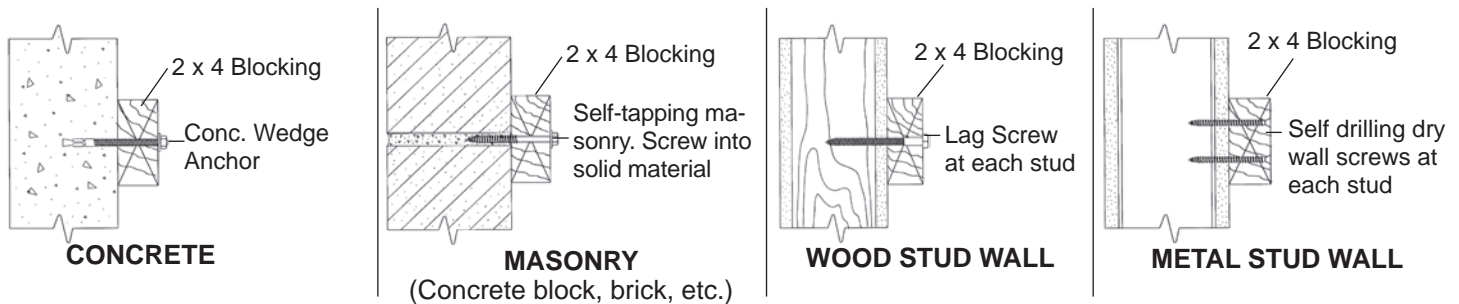
Do **not** use plastic or fiber anchors, concrete nails or regular nails.



BLOCKING LOCATIONS

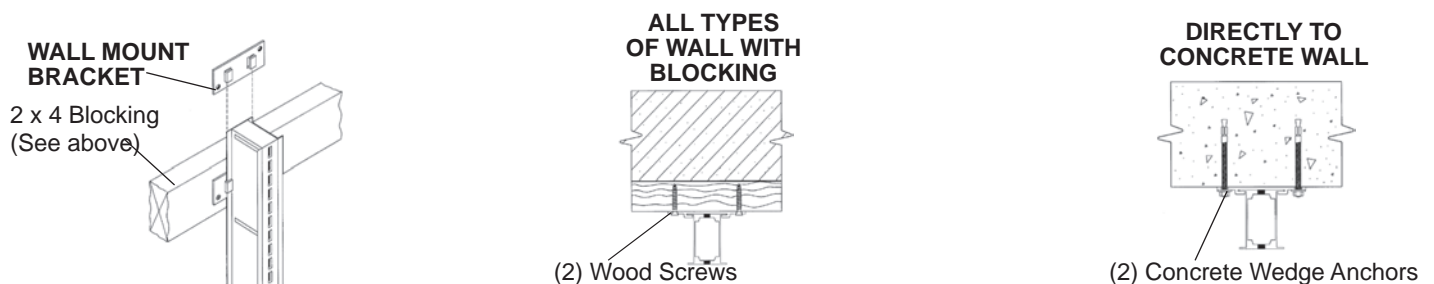
Additional blocking may be required for a given application, to be determined by site architect or professional engineer.

METHODS FOR ATTACHING BLOCKING TO WALL



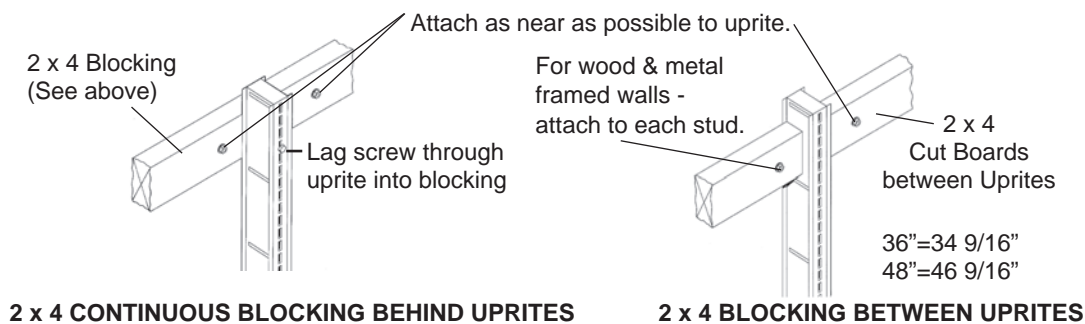
Size and quantity of fastener to be determined by site architect or professional engineer.

METHODS FOR ATTACHING UPRITE TO BLOCKING WITH WALL MOUNT BRACKETS



Size and quantity of fastener to be determined by site architect or professional engineer.

METHODS FOR ATTACHING UPRITE TO BLOCKING WITHOUT WALL MOUNT BRACKETS



Size and quantity of fastener to be determined by site architect or professional engineer.

Replumbing an Island that has an Unbalanced Load

The Lozier Upright and Base Bracket System is designed to function well under most merchandising circumstances. However, occasionally one side of an island becomes more heavily loaded than the other, which causes the uprights to lean toward the heavy side. This may cause gaps between shelves on the heavy side. It is important to read all warnings prior to replumbing an island.

Do not attempt to relevel an island that is overloaded! (exceeding maximum allowable unbalanced load)

WARNING: Before beginning, determine the unbalanced load on the wall or island to be sure it does not exceed the maximum allowable. See Unbalanced Load Calculation.

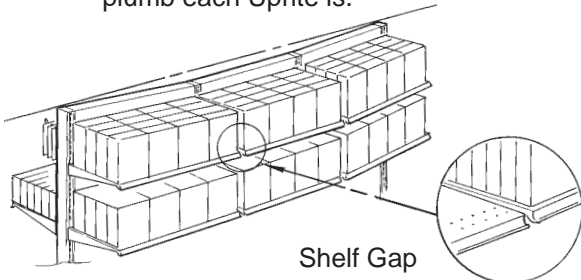
WARNING: A fully merchandised island will often contain several tons of merchandise. Extreme caution should be exercised to avoid shelving collapse or falling merchandise, which could result in serious injury. Shoppers and other persons not involved in adjusting the island should be denied access to the area during this procedure.

WARNING: Do not remove the Closed Base Fronts or Base Decks from a loaded island, as this may cause shelving collapse.

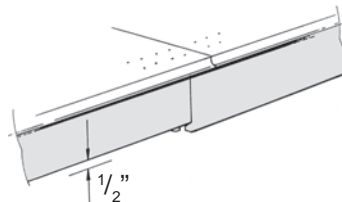
Before starting, the following are required:

- Two people (one for pushing and one for adjusting levelers)
- Leveling Leg Wrench or $\frac{7}{8}$ " Open End Wrench
- Carpenter's Level
- A Length of 2 x 4 or other similar material to aid in pushing against Upright.

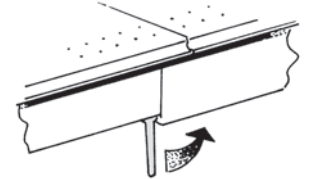
- 1.** Identify the Uprights that need to be replumbed by observing shelf gaps (as shown below) or by sighting down the line of Uprights. Estimate how far out of plumb each Upright is.



- 2.** Move to the lightly loaded side of the island and find the first Upright to be replumbed. Pry the Closed Base Front (CBF) up about $\frac{1}{2}$ " to access the Base Bracket Leveling Leg.

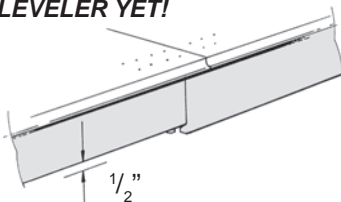


- 3.** Using the leveling wrench, screw in (retract) the Leveling Leg counter-clockwise about 1 turn for each $\frac{1}{16}$ " the Upright is out of plumb.



- 4.** Move to the **heavily loaded** side of the island and locate the same Upright. Pry up the same CBF to access the Base Bracket Leveling Leg.

DO NOT TURN THE LEVELER YET!



- 5.** Have the second person push on the Upright face (heavy side) with the push bar. This will reduce the pressure on the Leveling Leg which is about to be extended.

DO NOT ATTEMPT TO EXTEND THE LEVELING LEG WITHOUT RELIEVING THE PRESSURE ON IT.

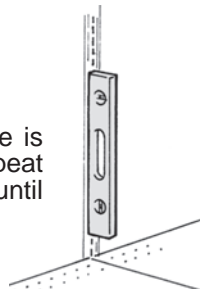
As the person pushing relieves the pressure on the Leveling Leg, use the Leveling Leg wrench to slowly extend the Leveling Leg clockwise, **by the same number of turns as the Leveler on the opposite was retracted - plus 2 turns.**



CAUTION: Do not extend the Base Bracket Leveling Leg more than $1 \frac{7}{16}$ " past the bottom of the Bracket.

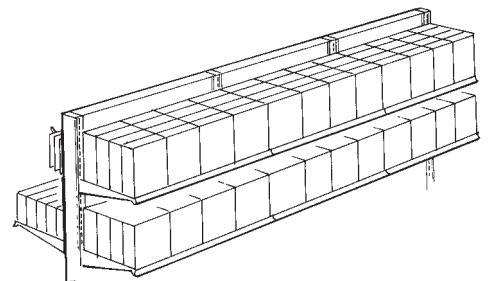
6.

Check to be sure Upright is plumb with the Level. Repeat Steps 2-6, if necessary, until the Upright is plumb.



7.

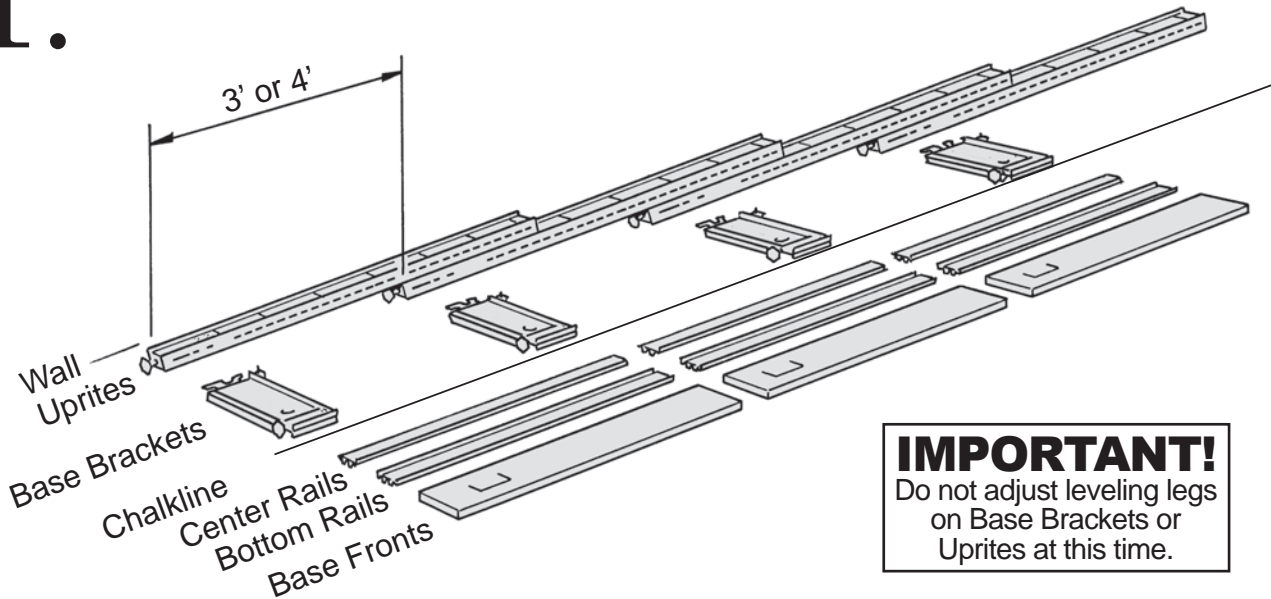
Repeat Steps 2-6 for each Upright that needs to be replumbed. Sight down the tops of the Uprights to assure that the island is straight.



Wall Section Installation

Please read each step carefully!
Refer to Component Breakdown on page 1 before starting.

1. Snap chalkline on floor in desired location of shelving run.

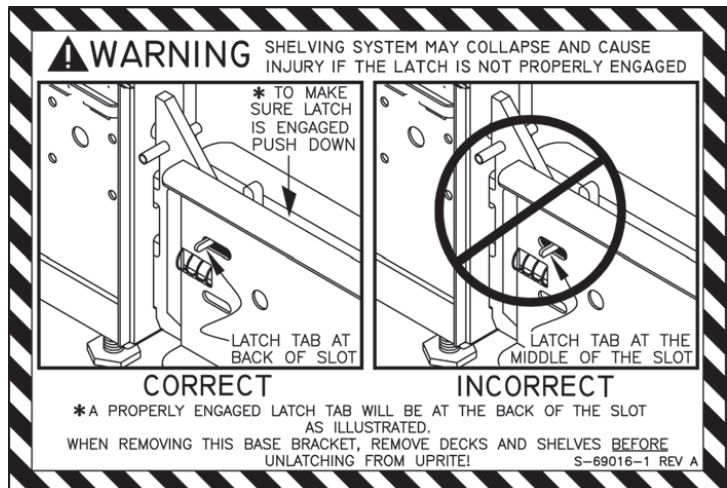
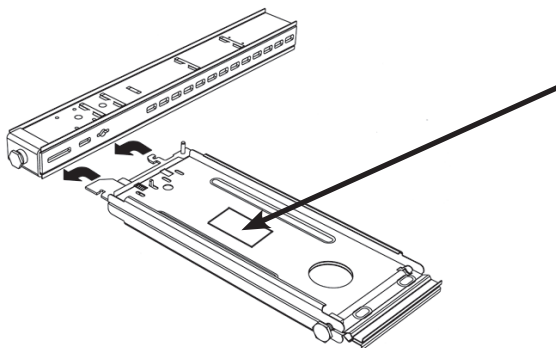


IMPORTANT!
 Do not adjust leveling legs on Base Brackets or Uprites at this time.

2. Lay out parts along chalkline as shown. At this point you will need one Back Panel for the first section of each island run. Splicer Rails (for two-piece Backs) and Top Rails will be used in later steps. Base Brackets and Center Rails are painted random colors and may not match the Uprite color.

WARNING! The shelving system may collapse and cause injury if the Base Bracket latch is not properly engaged with the Uprite. A properly engaged latch tab will be at the back of the slot as illustrated.

SPRING LOCKING BASE BRACKET

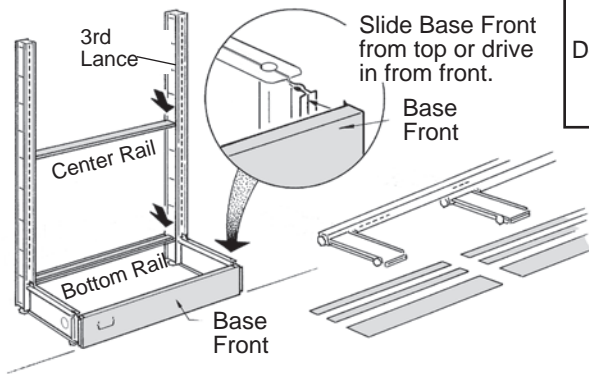


3. Push Bracket fully into Uprite slots, then push down. Latch must fully engage Uprite to lock the Bracket and Uprite together. Check latch tabs on both sides of Bracket. Tabs must be at the back of the slot in the Bracket. Refer to page 4 for removal and replacement of the Bracket.

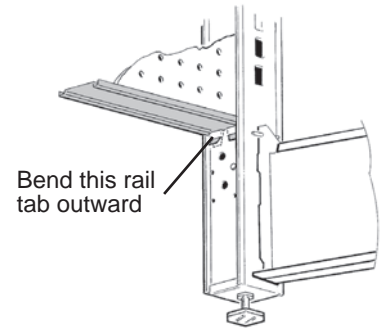
Wall Section Installation

NOTE: Refer to BACK PANEL INFORMATION on page 4 for Center Rail placement.

CAUTION: If Telescopic Uprites (TEL) will be installed, see Installation Instruction 09-2 shipped with the TEL for special Center Rail installation instructions that must be followed at this step to assure function of the TEL.



IMPORTANT!
Do not let framework stand alone until a Back Panel is in place. Center Rails must be used.



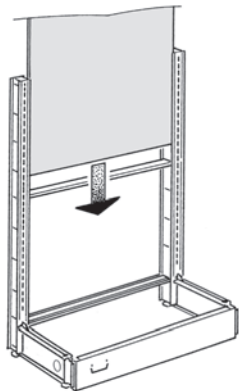
View From Underneath

- 4.** Assemble "framework" of first section by standing first two Uprite/Base Bracket assemblies vertically. Connect them by installing Base Fronts, Bottom Rail and Center Rail as shown.
- NOTE:** When Wire Grid Backs or Slotwall Backs are to be used, follow instructions packed with Wire Grid Clips or Slotwall Center Rail.

- 5.** When Backs are only used on one side of the wall section, bend rail tab on opposite side from panel outward.

Use care in lowering Back into place. **DO NOT DROP!**

- 6.** Install one Back now for stability. For two-piece Backs, install lower Back Panel at this time. Refer to **Back Panel Information** page I-4 for Back Panel Sizes.
- NOTE:** Top of Pegboard Backs are marked with a paint stripe. First row of holes are $\frac{7}{8}$ " from top edge.



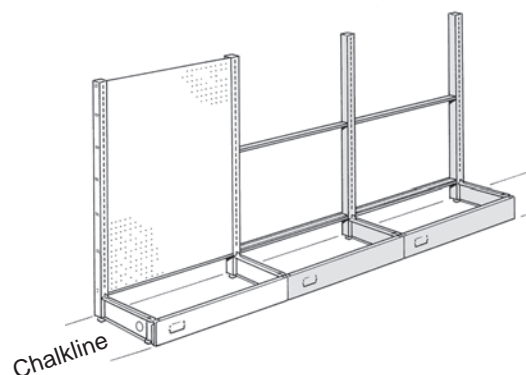
TWO-PIECE BACK DETAIL

NOTE: If ceiling height is not adequate to drop Panels from top, insert one side edge and flex panel until other edge fits in place.

When two-piece Backs are used, Center Rail is used on upper Back only for heights less than 96". For heights 96" and higher, a second Center Rail is used on the lower Back.

To assemble two-piece Backs (after Center Rails are in place), install both lower Back Panels (refer to Back Panel Information page 4 for proper sizes). Install Splicer Rail over lower Back and install upper Back Panel.

- 7.** Assemble remaining framework along chalkline. Do **not** install remaining Backs yet! Bend Bottom Rail tabs as in Step 5.



Wall Section Installation

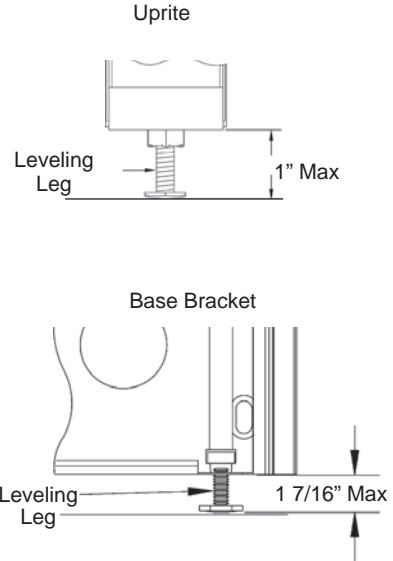
8.

Leveling Procedure Important For Safe Use of the Gondola and For Proper Fit of Trim and Accessories

WARNING:
Gondola must be leveled and correctly adjusted. Failure to do so may cause shelving collapse and personal injury.

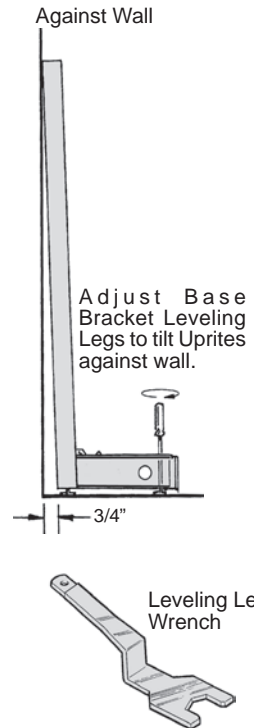
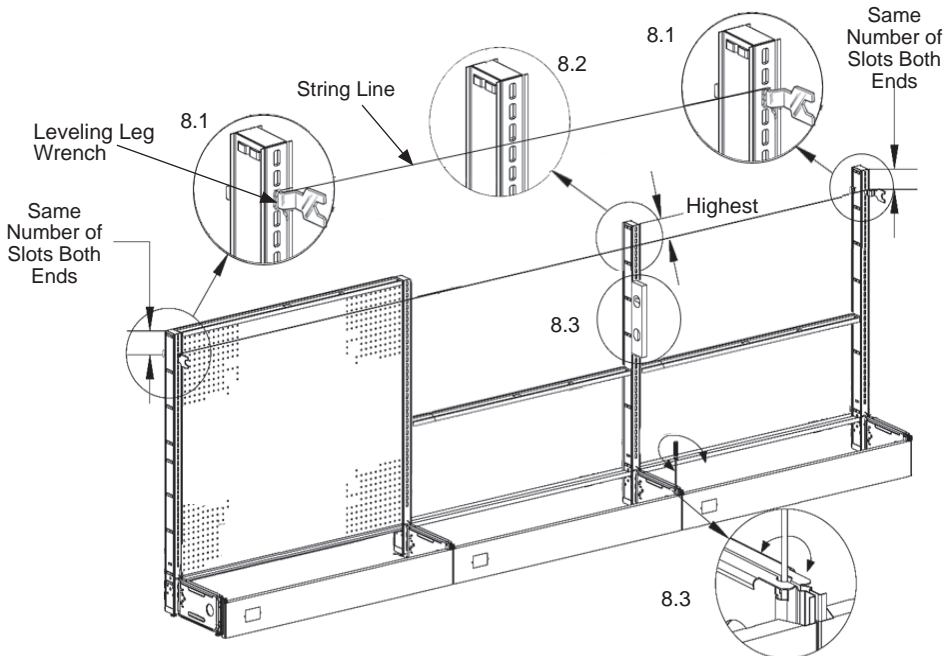
The purpose of the leveling procedure is to have all the Uprites plumb and at the same level along a string line with the Base Bracket leveling legs extended the least amount possible to achieve this result.

- 8.1 Stretch a string line tightly between the end Uprites using a leveling leg wrench placed in the same slot on each end Uprite.
- 8.2 Find the highest Uprite in the run (it will have the most slots above the string line). By adjusting the Uprite leveling leg, lower this Uprite so the string line matches the same slot as the end Uprites or as low as it can go, whichever comes first.
- 8.3 At this time also make sure that this Uprite is plumb, using a carpenter's level on the face of the Uprite, by adjusting the Base Bracket leveling leg (with a screw driver inserted into the Base Bracket above the leveling leg) to make the Uprite plumb.
 - 8.3.1 NOTE: A rearward Uprite tilt of about 3/4" is recommended for Wall Sections that will be heavily loaded. See illustration below.
- 8.4 Adjust all the other Uprites up or down to the same slot on the string line as the Uprite in 8.2 above (including the end Uprites if the Uprite in 8.2 was not able to be lowered enough to match the same slot on the end Uprites). Also make sure that each Uprite is plumb or equally tilted back, as described in 8.3 above.
- 8.5 When done, the string will be aligned with the same slot on every Uprite and all Uprites will be plumb or equally tilted back when checked with a carpenter's level.



WARNING:
Do not extend Uprite leveling leg more than 1" and Base Bracket leveling leg more than 1 7/16", as shown in illustration to right.

LEVELING

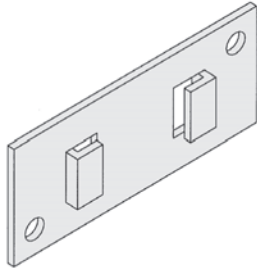


Questions about leveling?
Call 800-228-9882, ask for Installation.

Wall Section Installation

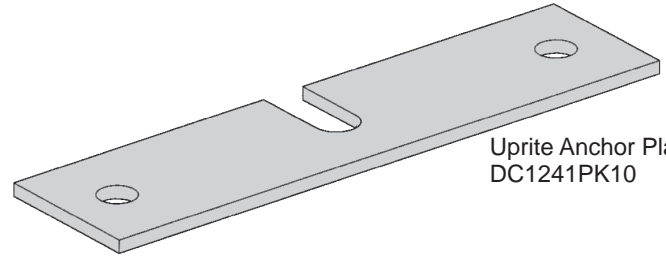
9. At this time, anchor wall sections if required. For anchoring to the floor, refer to “**Overturning Warnings**” on page 7. For anchoring to the wall, refer to “**Anchoring Wall Sections**” on page 8. Anchor Base Brackets of all-free standing Wall Sections regardless of Upright height to leveler spacing ratio.

AVAILABLE ANCHORING COMPONENTS (Fasteners Not Included)

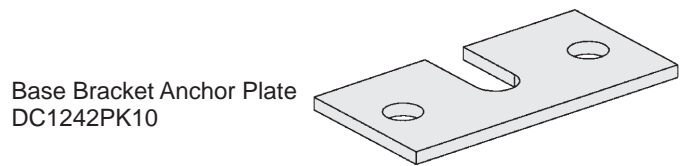


Wall Mount Bracket
DC2191PK20

If a long run (greater than 12') of wall sections is to be anchored to the wall, be sure that the center-to-center distance between uprights is correct. Do this by temporarily installing two continuous levels of shelving before anchoring the uprights to the wall. Failure to do so could result in shelves that do not fit correctly or at all.



Upright Anchor Plate
DC1241PK10



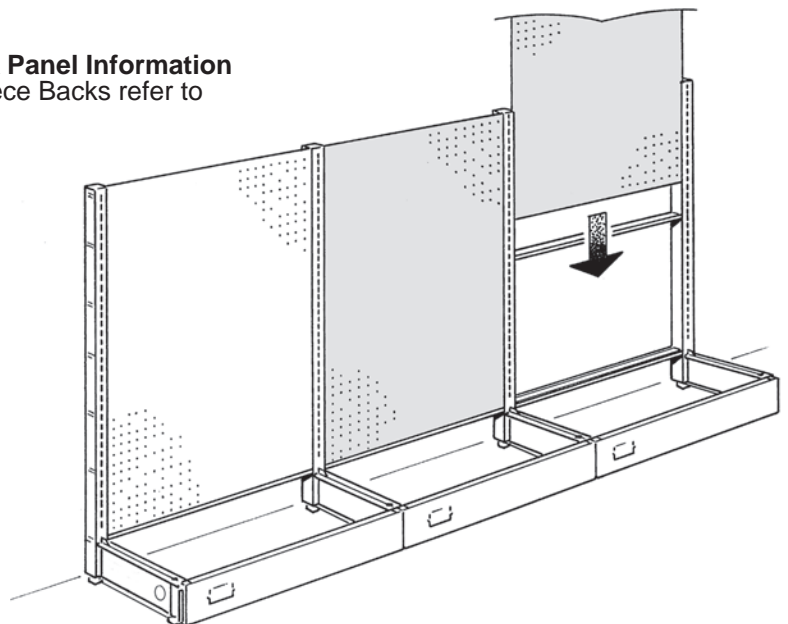
Base Bracket Anchor Plate
DC1242PK10

In some fixture installation situations, it is necessary to anchor wall and island sections to the floor. **Anchor plates should be used when the shelving unit exceeds the limits stated in Overturning Warnings (page 7).** Anchoring is usually required by building codes for shelving over 5' high in seismic zones 3 and 4. (Contact local building officials for anchoring requirements.)

10. Install remaining Backs. Refer to **Back Panel Information** on page 4 for proper sizes. For two-piece Backs refer to Detail on Step 6.

IMPORTANT

For two piece backs use splicer rails as shown in Detail in Step 6.

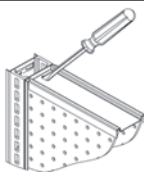


WARNING! Do not exceed maximum allowable Pegboard Back loads - see Unbalanced Load Calculations Section 3 Special Warnings.

Wall Section Installation

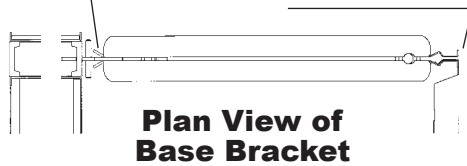
11. Install Base End Trims, Upright End Trims and Top Rails.

To remove Top Rail pull toward Upright and lift up. Or, insert screwdriver through Top Rail slot, press its blade against one Top Rail tab, twist Top Rail to disconnect tab. Repeat for other tab.



Top Rails - Tabs on Top Rail must lock in place.

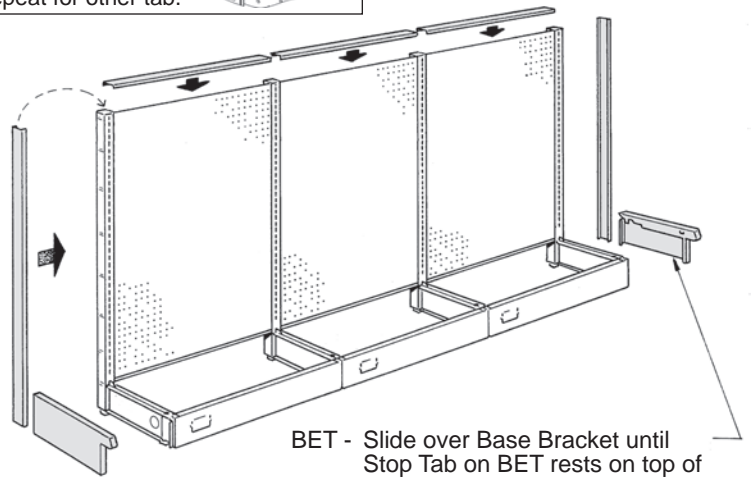
BET must slide behind front and rear flanges on Base Bracket to be properly seated



IMPORTANT

Base Bracket End Trim (BET) **must** be installed **before** installing Base Decks.

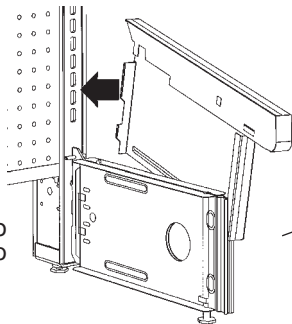
Hook top of Upright End Trim over top of Upright, then press on working toward floor.



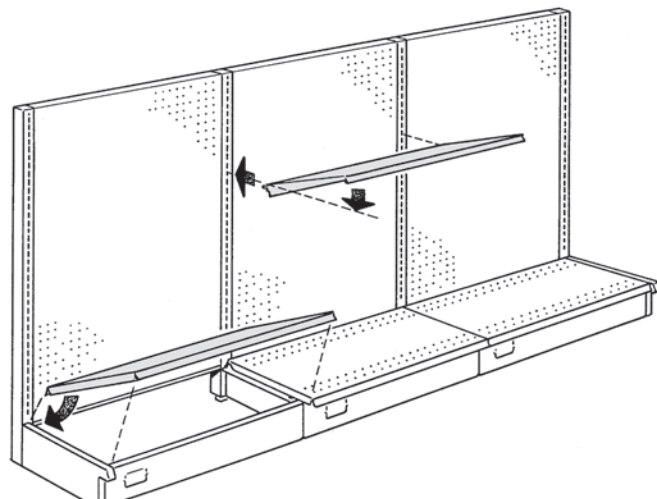
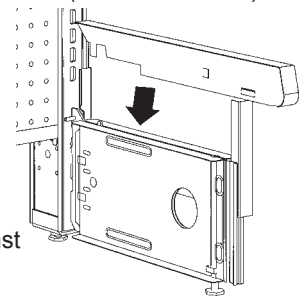
IMPORTANT

See Plan View of Base Bracket above for seating Base Bracket End Trim

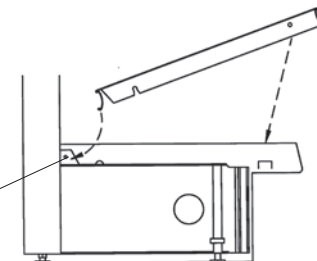
1. Insert front flange into front of BB adjacent to the CBF



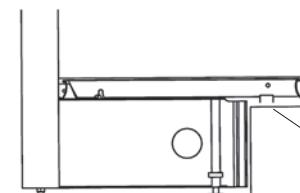
2. Put rear flange against BB hook slide shown



Deck Hold Down Pin



To install Decks, tilt upward and hook rear molding behind deck hold down pin.



Deck must sit on lock tab on BET

12. Install Base Decks and Shelves as shown. Be sure Base End Trim (BET) is installed before installing Base Decks (see Step 11). Refer to **Allowable Shelf Load Limits** on page 3 for shelf information.

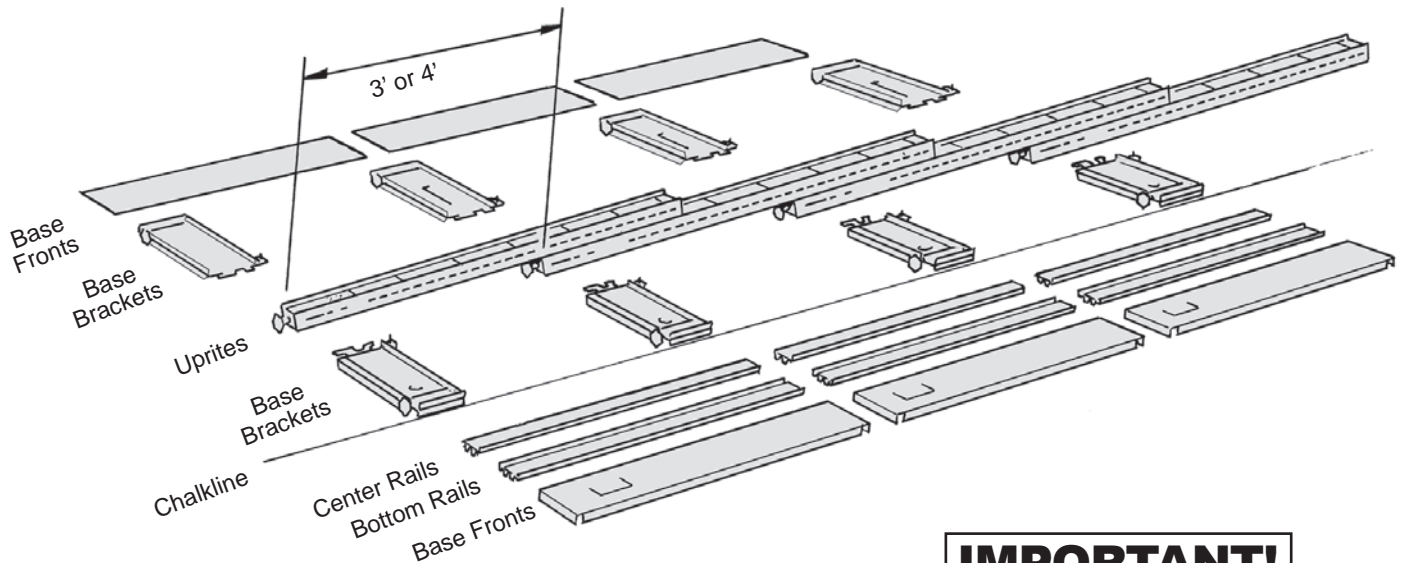
NOTICE:

If Trim or Shelves do not fit properly, check to be sure unit is leveled properly.
If the Uprights are not plumb and/or at proper height, redo Step 8.

Island Section Installation

Please read each step carefully!
Refer to Component Breakdown on page 1 before starting.

- 1.** Snap chalkline on floor for desired locations of all island runs.



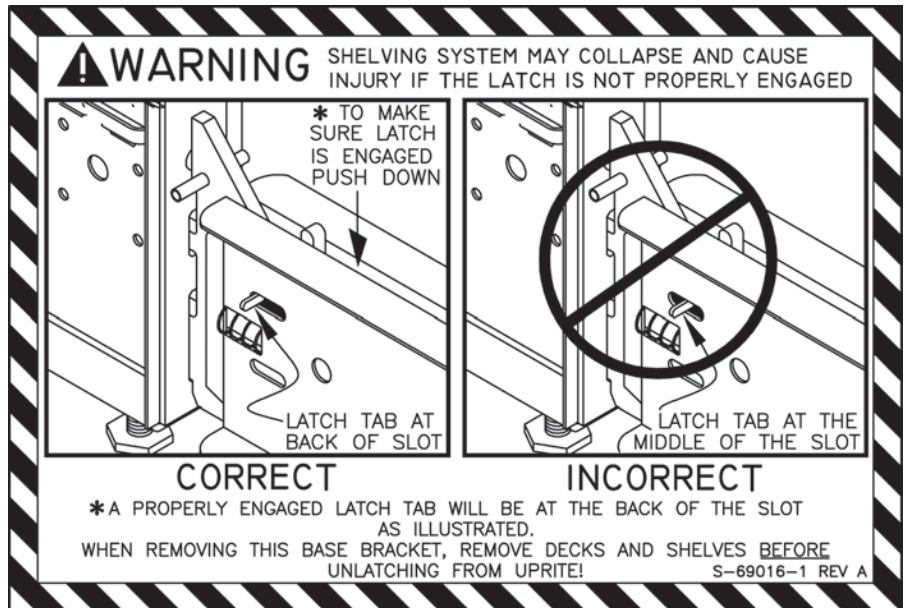
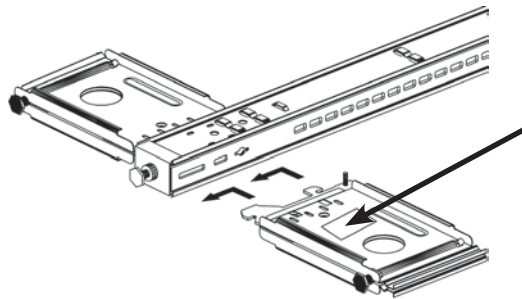
IMPORTANT!
Do not adjust leveling legs on Base Brackets or Uprites at this time.

- 2.** Lay out parts along chalkline as shown. At this point you will need one Back Panel for the first section of each island run. Splicer Rails (for two-piece Backs) and Top Rails will be used in later steps. Base Brackets and Center Rails are painted random colors and may not match the Uprite color.

Island Section Installation

SPRING LOCKING BASE BRACKET

WARNING! The shelving system may collapse and cause injury if the Base Bracket latch is not properly engaged with the Uprite. A properly engaged latch tab will be at the back of the slot as illustrated.

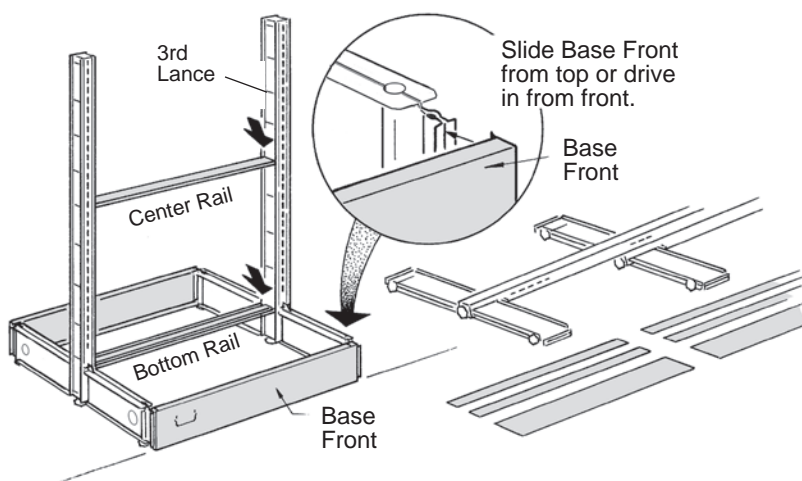


3.

Push Bracket fully into Uprite slots, then push down. Latch must fully engage Uprite to lock the Bracket and Uprite together. Check latch tabs on both sides of Bracket. Tabs must be at the back of the slot in the Bracket. Refer to page 4 for removal and replacement of the Bracket.

NOTE: Refer to BACK PANEL INFORMATION on page 4 for Center Rail placement.

CAUTION: If Telescopic Uprites (TEL) will be installed, see Installation Instruction 09-2 shipped with the TEL for special Center Rail installation instructions that must be followed at the step to assure function of the TEL.



IMPORTANT!
Do not let framework stand alone until a Back Panel is in place. Center Rails must be used.

4.

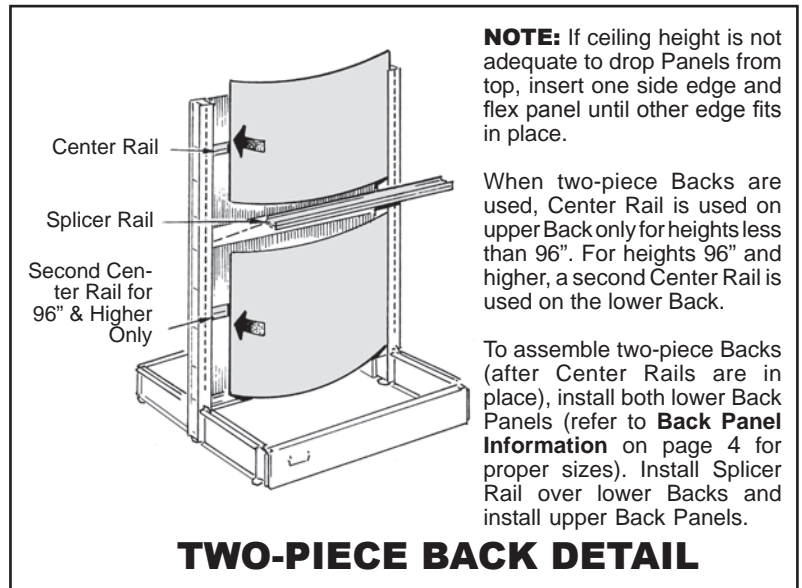
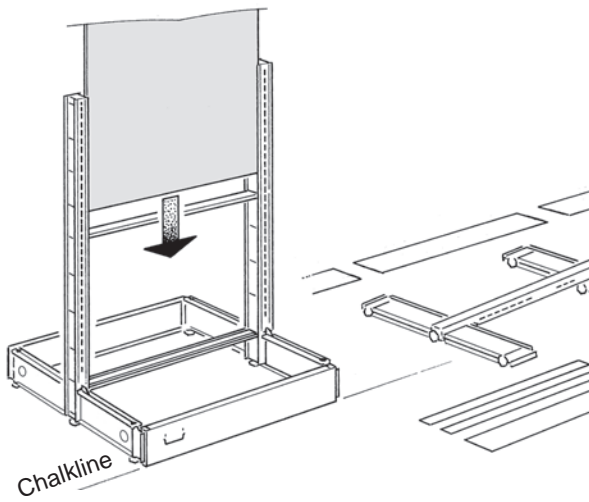
Assemble "framework" of first section by standing first two Uprite/Base Bracket assemblies vertically. Connect them by installing Base Fronts, Bottom Rail and Center Rail as shown.

NOTE: When Wire Grid Backs or Slotwall Backs are to be used, follow instructions packed with Wire Grid Clips or Slotwall Center Rail.

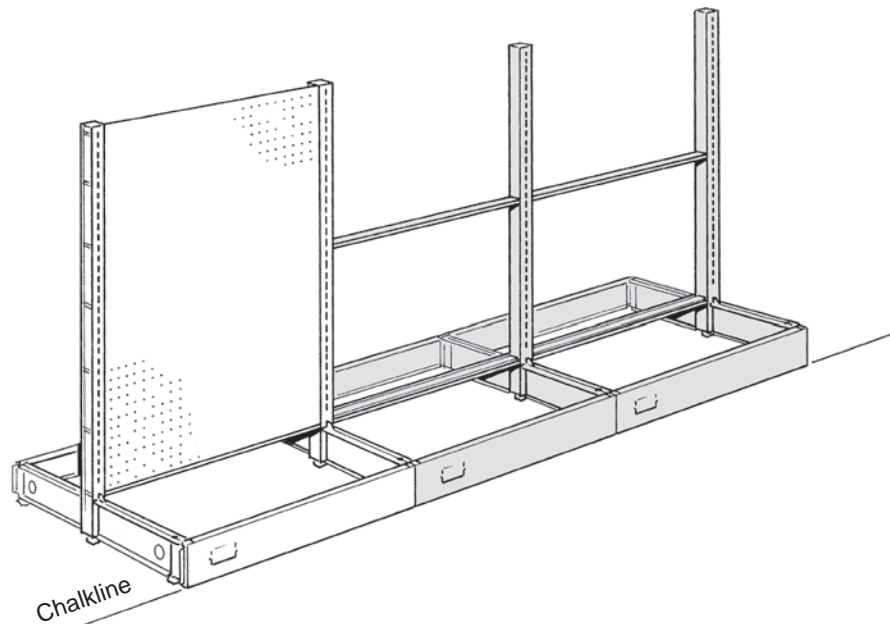
Island Section Installation

Use care in lowering Back into place. **DO NOT DROP!**

NOTE: Top of Pegboard Backs are marked with a paint stripe. First row of holes are $\frac{7}{8}$ " from top edge.



5. Install one Back now for stability. For two-piece Backs, install lower Back Panel only at this time. Refer to **Back Panel Information** on page 4 for Back Panel Sizes.



6. Assemble remaining framework along chalkline. Do not install remaining Backs yet!

Island Section Installation

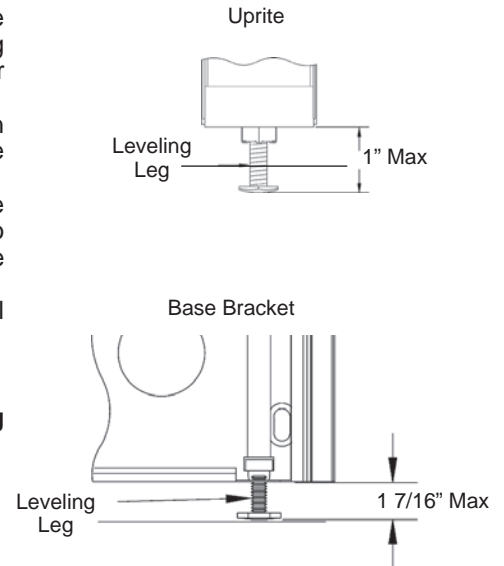
7. Leveling Procedure Important For Safe Use of the Gondola and For Proper Fit of Trim and Accessories

The purpose of the leveling procedure is to have all the Uprites plumb at the same level along a string line with the Base Bracket leveling legs extended the least amount possible to achieve this result (Do **not** adjust the Uprite leveling leg during this procedure, see Step 8 for this adjustment).

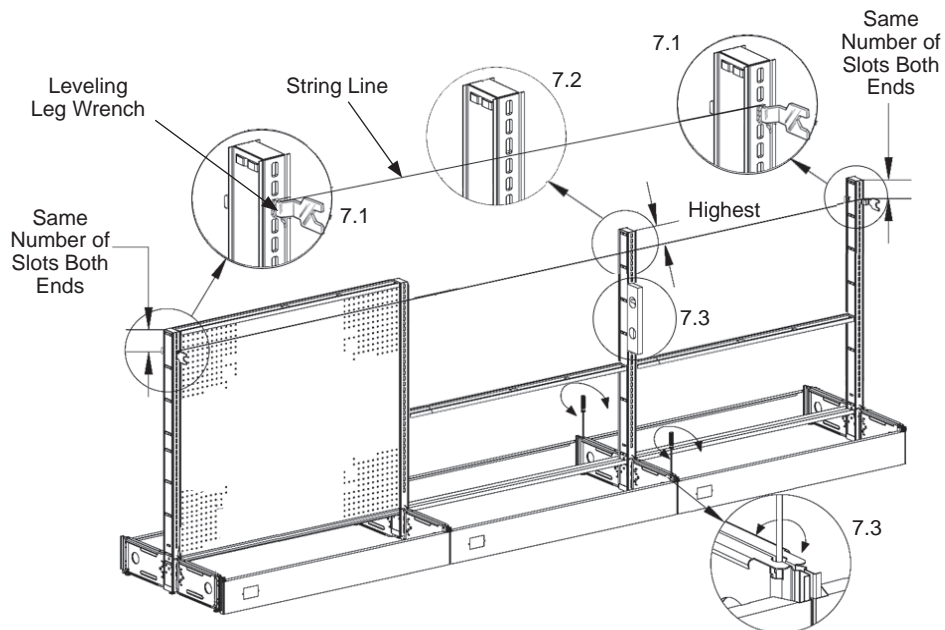
- 7.1 Stretch a string line tightly between the end Uprites using a leveling leg wrench placed in the same slot on each end Uprite.
- 7.2 Find the highest Uprite in the run (it will have the most slots above the string line). By adjusting both Base Bracket leveling legs (with a screw driver inserted into the Base Bracket above the leveling leg) lower the highest Uprite in the run so the string line matches the same slot as the end Uprites or as low as it can go, whichever comes first.
- 7.3 At this time also make sure that this Uprite is plumb, using a carpenter's level on the face of the Uprite, by adjusting both Base Bracket leveling legs in opposite directions until the Uprite is plumb.
- 7.4 Adjust all the other Uprites up or down to the same slot on the string line as the Uprite in 7.2 above (including the end Uprites if the Uprite in 7.2 was not able to be lowered enough to match the same slot on the end Uprites). Also make sure that each Uprite is plumb, as described in 7.3 above.
- 7.5 When done, the string will be aligned with the same slot on every Uprite and all Uprites will be plumb when checked with a carpenter's level.

WARNING: Do not extend Uprite leveling leg more than 1" and Base Bracket leveling leg more than 1 7/16", as shown in illustration to right.

WARNING: Gondola must be leveled and correctly adjusted. Failure to do so may cause shelving collapse and personal injury.



LEVELING



Questions about leveling? Call 800-228-9882, ask for Installation.

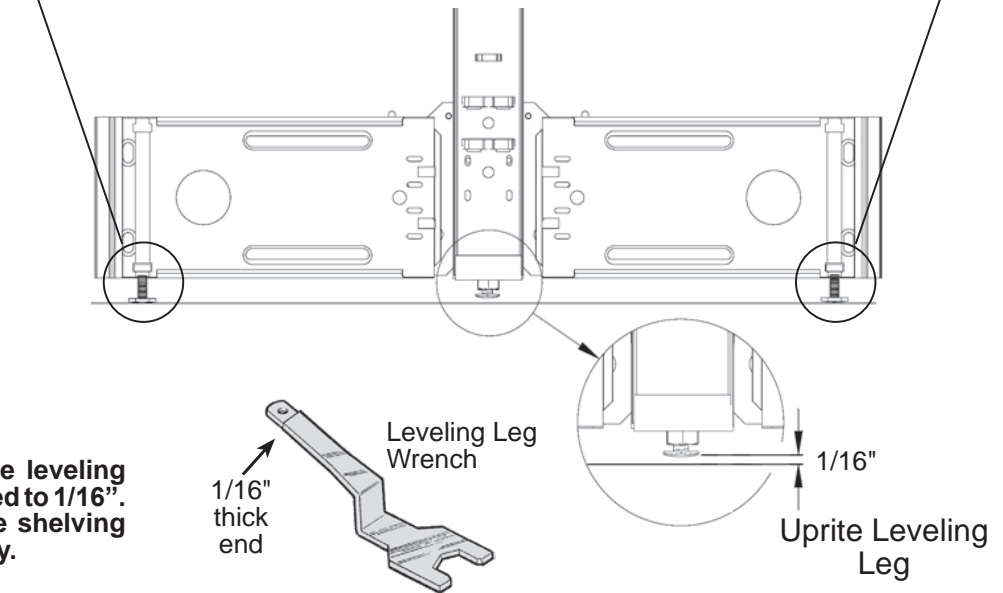
Island Section Installation

8.

Adjust the Upright Leveling Legs on each Upright so that the gap between the leg and floor is $1/16"$. Set the gap using the Leveling Leg Wrench handle, which is $1/16"$ thick.

NOTE:

At this point, the Gondola must be level and the Uprights must be plumb. **Do not adjust Base Bracket leveling legs. They should be properly set from the preceding step.**

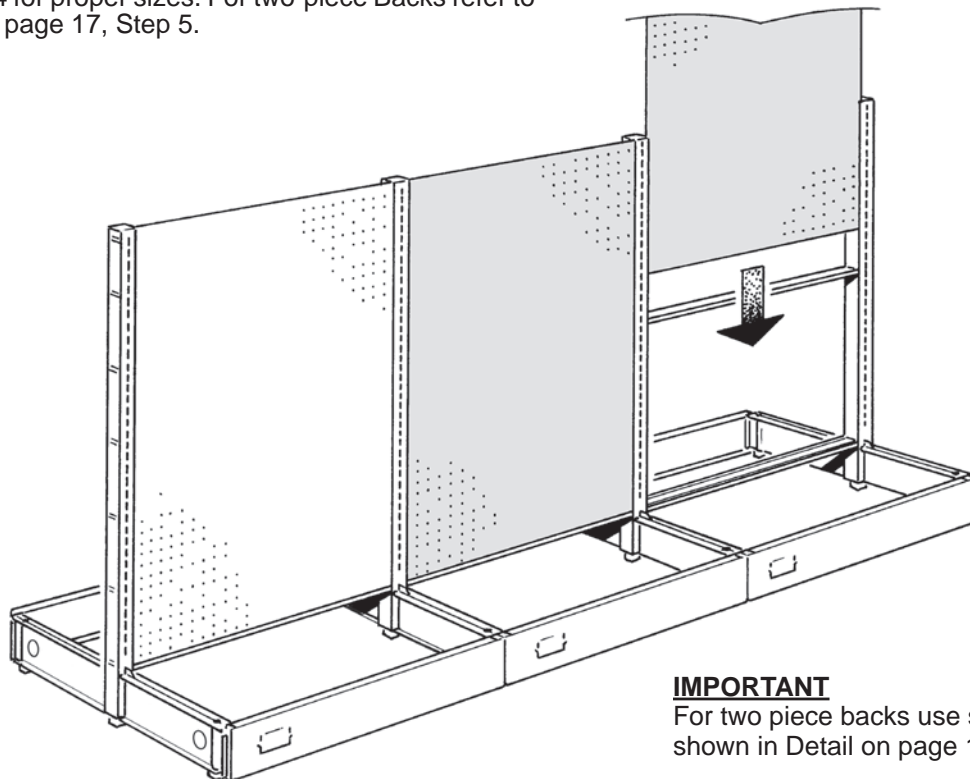


WARNING!

The gap between the Upright leveling leg and floor must be adjusted to $1/16"$. Failure to do so may cause shelving collapse and personal injury.

9.

Install remaining Backs. Refer to Back Panel Information on page 4 for proper sizes. For two-piece Backs refer to Detail on page 17, Step 5.



IMPORTANT

For two piece backs use splicer rails as shown in Detail on page 17, Step 5.

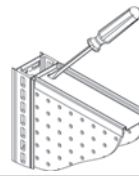


WARNING! Do not exceed maximum allowable Pegboard Back loads - see Unbalanced Load Calculations Section 3 Special Warnings.

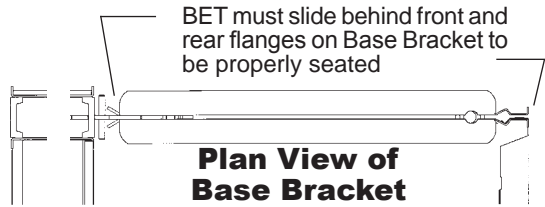
Island Section Installation

10. Install Base End Trims, Upright End Trims and Top Rails.

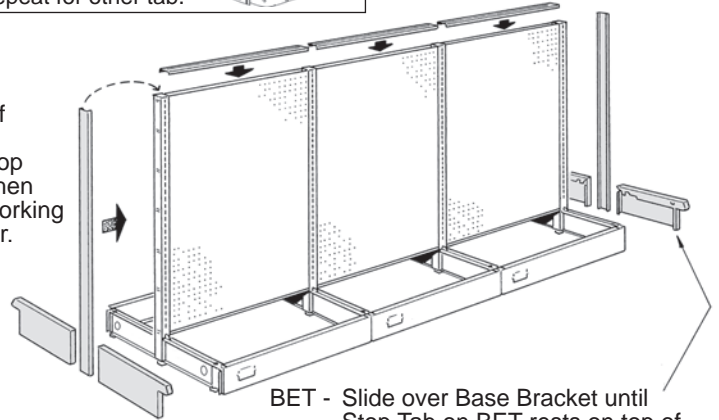
To remove Top Rail pull toward Upright and lift up. Or, insert screwdriver through Top Rail slot, press its blade against one Top Rail tab, twist Top Rail to disconnect tab. Repeat for other tab.



Top Rails - Tabs on Top Rail must lock in place.

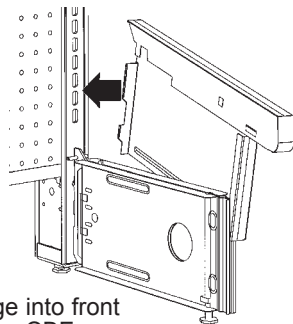


Hook top of Upright End Trim over top of Upright, then press on working toward floor.



IMPORTANT

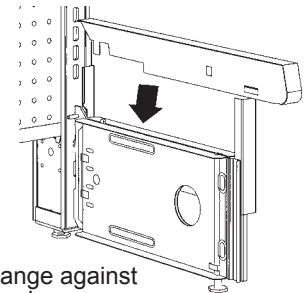
Base Bracket End Trim (BET) **must** be installed **before** installing Base Decks.



1. Insert front flange into front of BB adjacent to the CBF

IMPORTANT

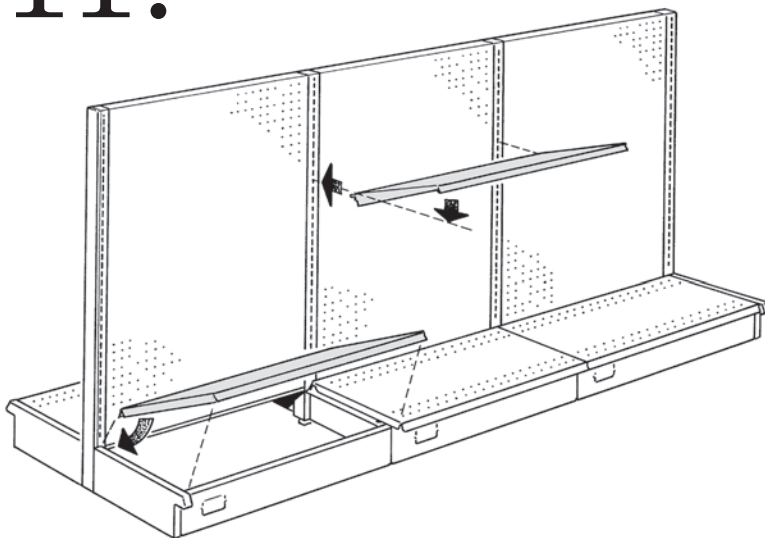
See Plan View of Base Bracket above for seating Base Bracket End Trim



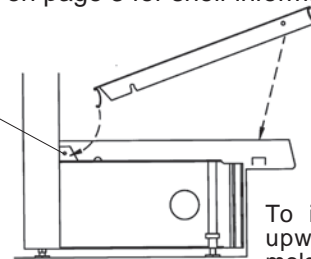
2. Put rear flange against BB hook slide shown

11.

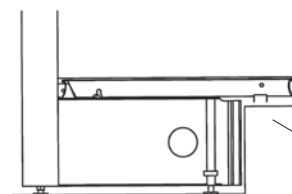
Install Base Decks and Shelves as shown. Be sure Base End Trim (BET) is installed before installing Base Decks (see Step 10). Refer to **Allowable Shelf Load Limits** on page 3 for shelf information.



Deck Hold Down Pin



To install Decks, tilt upward and hook rear molding behind deck hold down pin.



Deck must sit on lock tab on BET

NOTICE:

If Trim or Shelves do not fit properly, check to be sure unit is leveled properly.
If the Uprights are not plumb and/or at proper height, redo Step 7, page 18.